



CATHODIC
PROTECTION
CO LTD

Junction Boxes

APPLICATION

Junction boxes for positive and negative current distribution & control, also for resistance bonding, are available to meet exact client specifications.

Suitable for onshore and marine environments in safe and hazardous areas.

When specifying a CPC Junction Box assembly, please clarify the specific hardware and components required.

ENCLOSURES

Stainless steel 316L & 304

Painted mild steel

Galvanised and painted

Aluminium

Plastic

Cast iron

Explosion proof

GRP

Custom finishes

Please also specify IP, NEMA or if hazardous area classification is required.

ACCESSORIES

Resistors

Shunts

Support Frames

Copper Links

Metering

Monitoring

Transducers

Terminals

Diodes

Labelling

Switches

Security/Locking





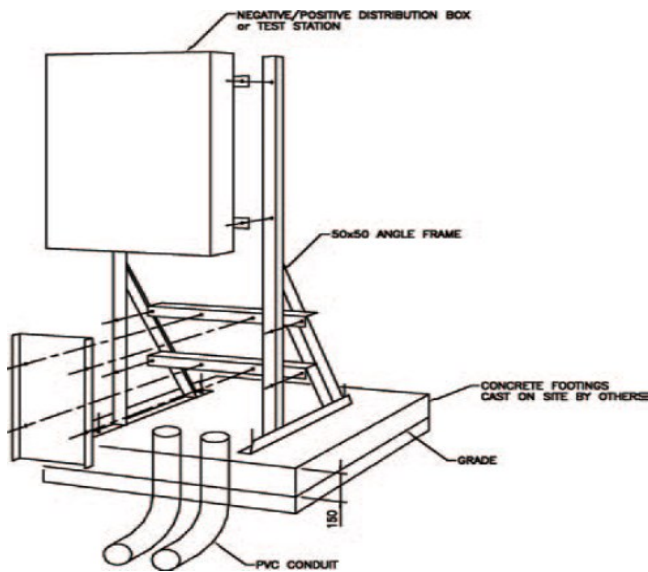
CATHODIC
PROTECTION
CO LTD

Junction Boxes

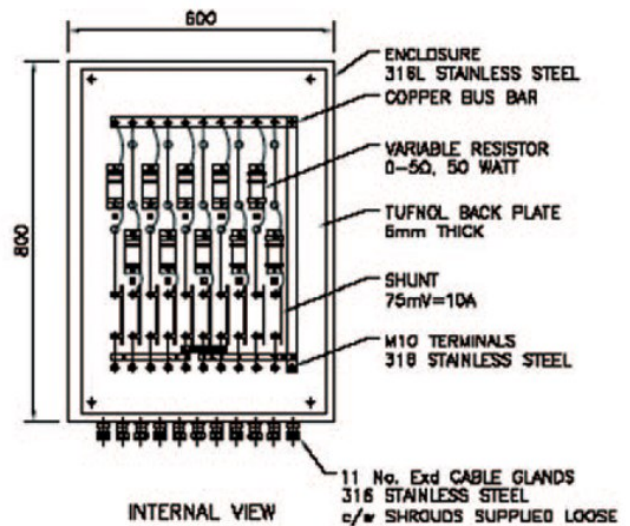
CABLE ENTRY

Cable entry can be made by any type of proprietary cable gland, or by conduit and hub assemblies, allowing the safe passage of multiple cables into the enclosure.

TYPICAL JUNCTION BOX ARRANGEMENT



TYPICAL INTERNAL LAYOUT OF ANODE JUNCTION BOX



TYPICAL JUNCTION BOX SUPPORT ARRANGEMENT

