

Aluminium Weld On Anodes

APPLICATION

Aluminium alloy anodes have been formulated primarily for use in seawater. Alloys are also capable of achieving high output capacity in mud and brackish water of resistivity up to 150 Ohm.cm. Aluminium anodes have approximately three times the capacity of zinc alloys.

Aluminium Typical Hull Anode Alloy Composition

DNV

Elements	Minimum%	Maximum%
Zn (Zinc)	2.500	5.750
In (Indium)	0.015	0.040
Si (Silicon)	0	0.120
Fe (Iron)	0	0.090
Cu (Copper)	0	0.003
Cd (Cadmium)	0	0.002

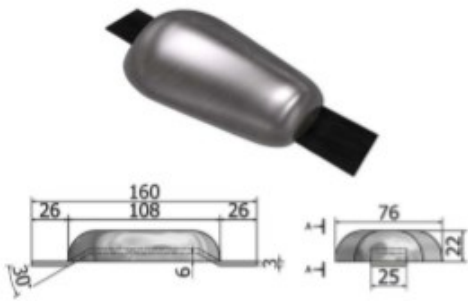
Aluminium Typical Hull Anode Alloy Composition

G3

Elements	Minimum%	Maximum%
Zn (Zinc)	2.500	6.500
In (Indium)	0.015	0.200
Si (Silicon)	0	0.150
Fe (Iron)	0	0.120
Cu (Copper)	0	0.006
Others	0	0.020
Al (aluminium)	Remainder	

Aluminium Weld On Anodes

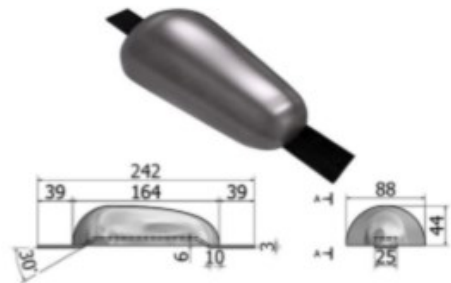
Aluminium Weld on Hull Anode



MH3A

0.3 Kg NET / 0.4 Kg GROSS

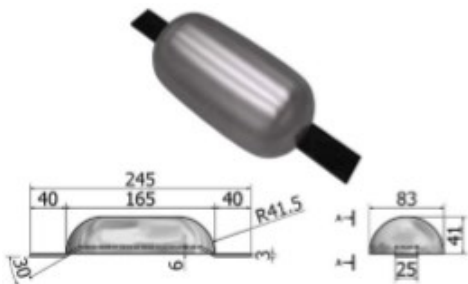
Aluminium Weld On Hull Anode



MH8A

0.8 Kg NET / 1 Kg GROSS

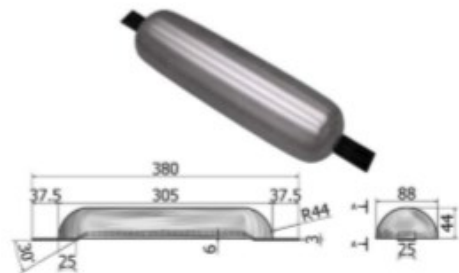
Aluminium Weld On Hull Anode



MH11A

1.1 Kg NET / 1.3 Kg GROSS

Aluminium Weld On Hull Anode



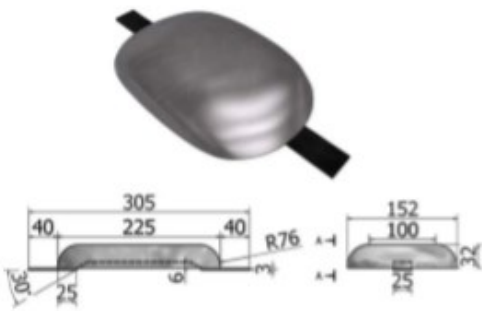
MH18A

1.8 Kg NET / 2 Kg GROSS

Aluminium Weld On Hull Anode

Aluminium Weld On Anodes

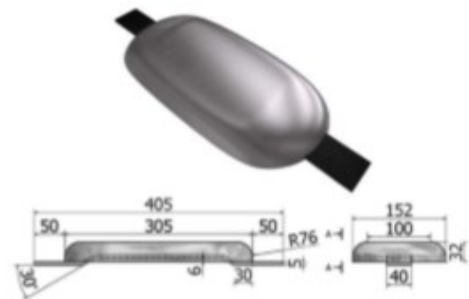
Aluminium Weld on Hull Anode



MH25A

2.5 Kg NET / 2.8 Kg GROSS

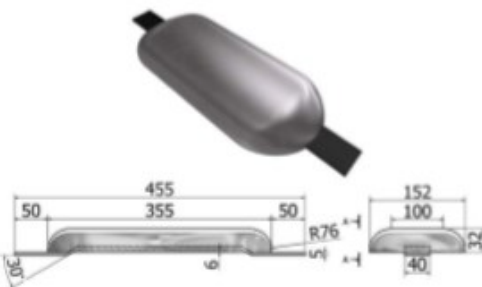
Aluminium Weld On Hull Anode



MH30A

3 Kg NET / 3.5 Kg GROSS

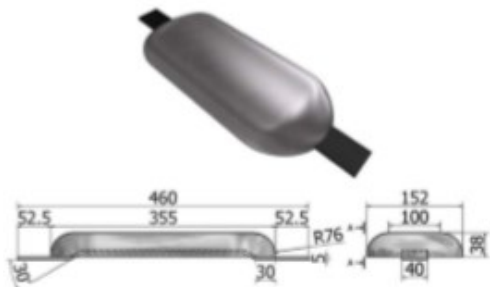
Aluminium Weld On Hull Anode



MH40A

4 Kg NET / 4.5 Kg GROSS

Aluminium Weld On Hull Anode



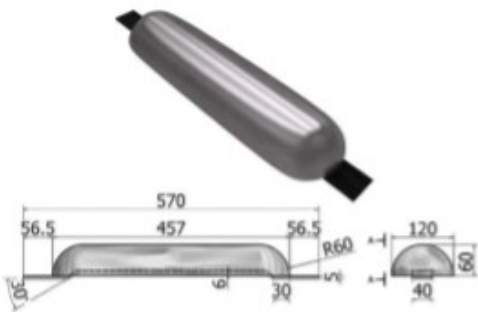
MH45A

4.5 Kg NET / 5.2 Kg GROSS

Aluminium Weld On Hull Anode

Aluminium Weld On Anodes

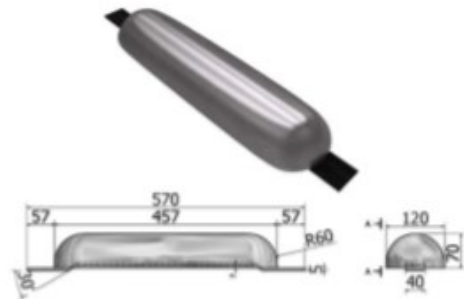
Aluminium Weld on Hull Anode



MH50A

5 Kg NET / 6 Kg GROSS

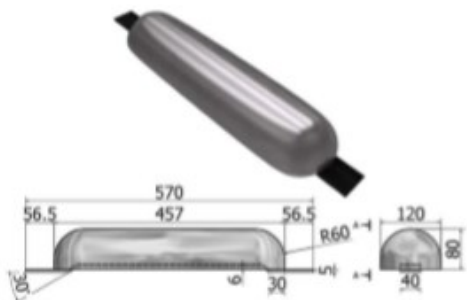
Aluminium Weld On Hull Anode



MH56A

5.6 Kg NET / 6.5 Kg GROSS

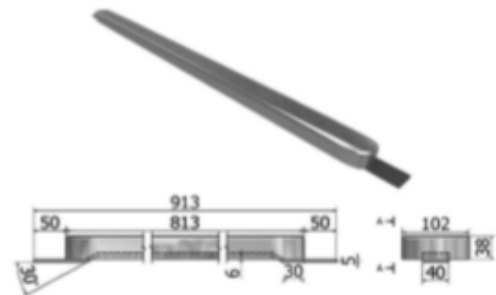
Aluminium Weld On Hull Anode



MH60A

6 Kg NET / 7 Kg GROSS

Aluminium Weld On Hull Anode



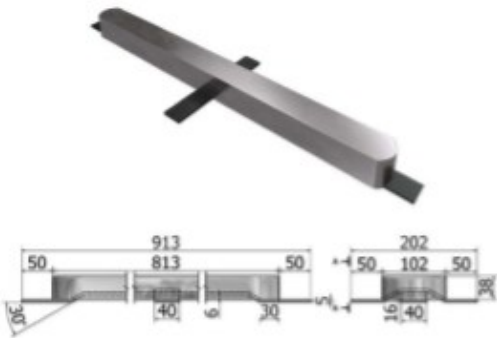
MH70A-1

7 Kg NET / 8 Kg GROSS

Aluminium Weld On Hull Anode

Aluminium Weld On Anodes

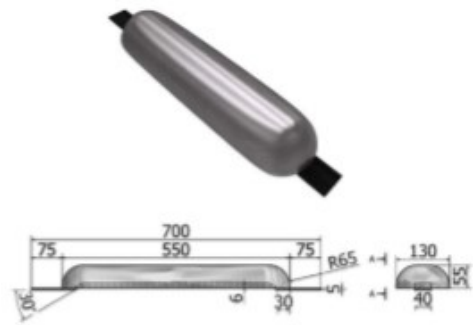
Aluminium Weld on Hull Anode



MH70A C/W CROSS STRAPS

7 Kg NET / 8.8 Kg GROSS

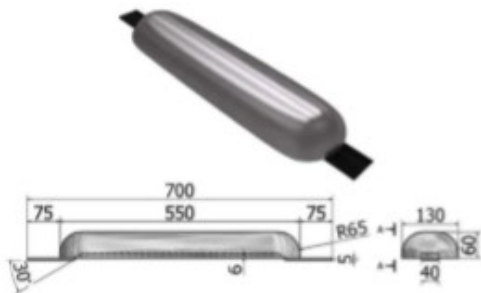
Aluminium Weld On Hull Anode



MH80A

8 Kg NET / 9 Kg GROSS

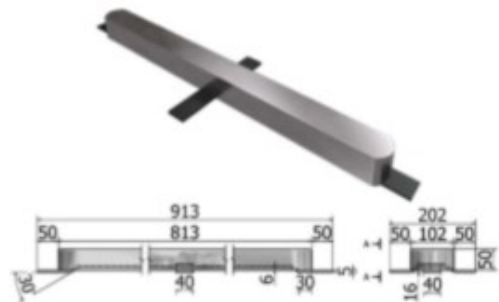
Aluminium Weld On Hull Anode



MH90A

9 Kg NET / 10 Kg GROSS

Aluminium Weld On Hull Anode



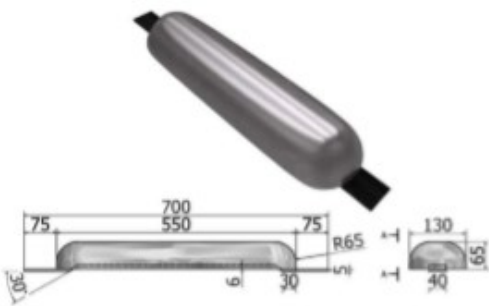
MH95A C/W CROSS STRAPS

9.5 Kg NET / 11 Kg GROSS

Aluminium Weld On Hull Anode

Aluminium Weld On Anodes

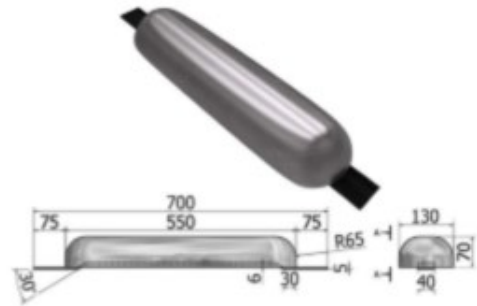
Aluminium Weld on Hull Anode



MH100A

10 Kg NET / 11 Kg GROSS

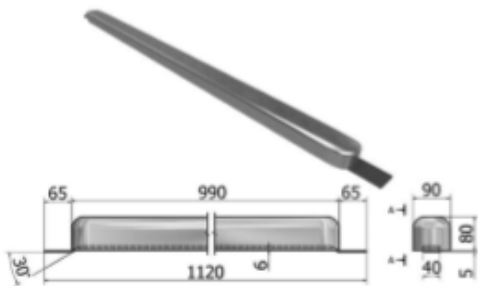
Aluminium Weld On Hull Anode



MH110A

11 Kg NET / 12 Kg GROSS

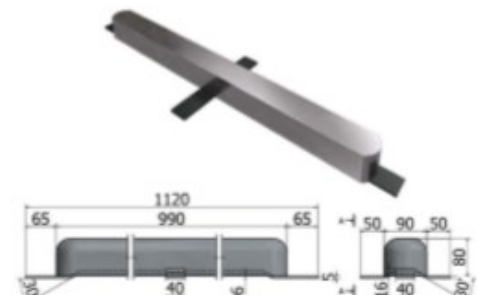
Aluminium Weld On Hull Anode



MH190A

19 Kg NET / 20.5 Kg GROSS

Aluminium Weld On Hull Anode



MH190A C/W CROSS STRAPS

19 Kg NET / 21 Kg GROSS

Aluminium Weld On Hull Anode