

# Aluminium Bolt On Anodes

## APPLICATION

Aluminium alloy anodes have been formulated primarily for use in seawater. Alloys are also capable of achieving high output capacity in mud and brackish water of resistivity up to 150 Ohm.cm. Aluminium anodes have approximately three times the capacity of zinc alloys.

### Aluminium Typical Hull Anode Alloy Composition

#### DNV

Elements	Minimum%	Maximum%
Zn (Zinc)	2.500	5.750
In (Indium)	0.015	0.040
Si (Silicon)	0	0.120
Fe (Iron)	0	0.090
Cu (Copper)	0	0.003
Cd (Cadmium)	0	0.002

### Aluminium Typical Hull Anode Alloy Composition

#### G3

Elements	Minimum%	Maximum%
Zn (Zinc)	2.500	5.750
In (Indium)	0.015	0.040
Si (Silicon)	0	0.120
Fe (Iron)	0	0.090
Cu (Copper)	0	0.003
Cd (Cadmium)	0	0.002
Others	0	0.020
Al (aluminium)	Remainder	



CATHODIC  
PROTECTION  
CO LTD

# Aluminium Bolt On Anodes

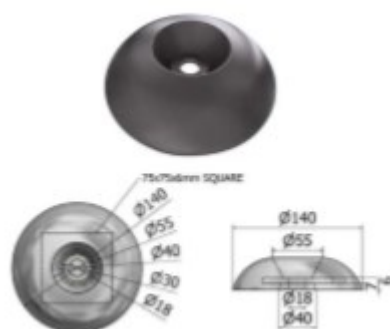
## Aluminium Disc Anode



### MD3A

0.3 Kg NET / 0.4 Kg GROSS

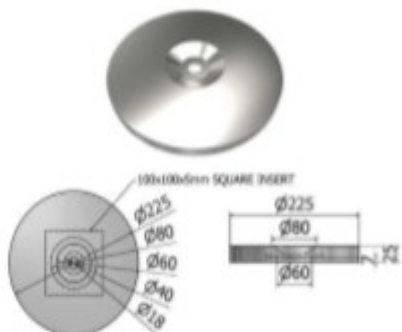
Aluminium Disc Anode



### MD7A

0.7 Kg NET / 0.8 Kg GROSS

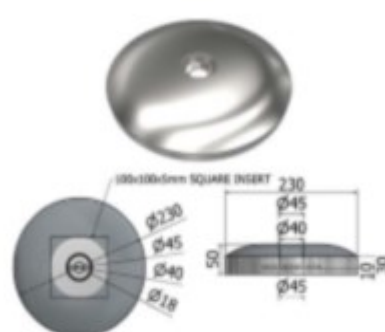
Aluminium Disc Anode



### MD28A

2.8 Kg NET / 3 Kg GROSS

Aluminium Disc Anode



### MD43A

4.8 Kg NET / 4.5 Kg GROSS

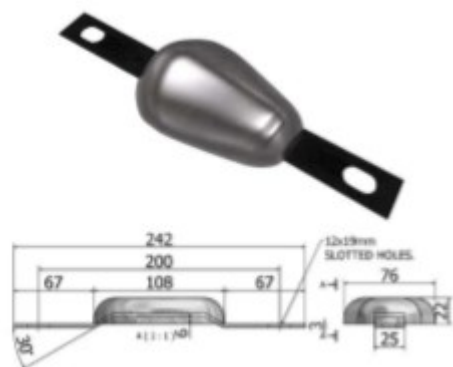
Aluminium Disc Anode



CATHODIC  
PROTECTION  
CO LTD

# Aluminium Bolt On Anodes

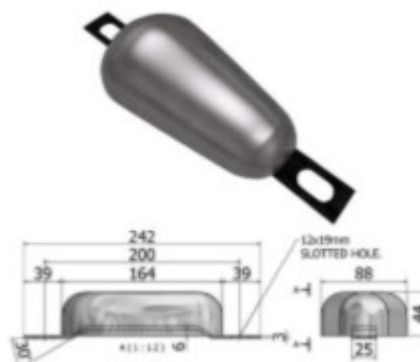
## Aluminium Bolt On Hull Anode



### MH3AS

0.3 Kg NET / 0.4 Kg GROSS

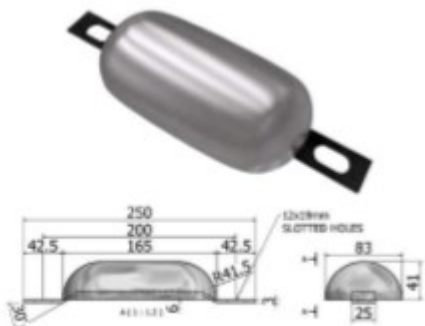
Aluminium Bolt On Hull Anode



### MH8AS

0.8 Kg NET / 1 Kg GROSS

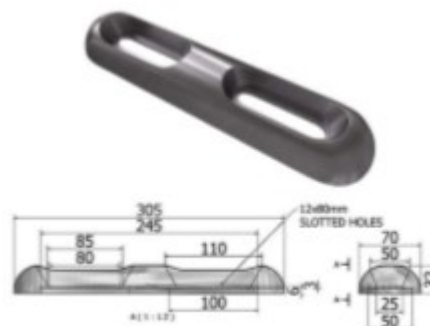
Aluminium Bolt On Hull Anode



### MH11AS

1.1 Kg NET / 1.3 Kg GROSS

Aluminium Bolt On Hull Anode



### MH11AS-2

1.1 Kg NET / 1.3 Kg GROSS

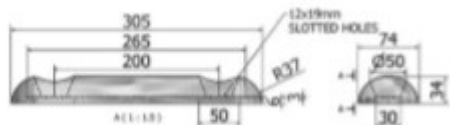
Aluminium Bolt On Hull Anode



CATHODIC  
PROTECTION  
CO LTD

# Aluminium Bolt On Anodes

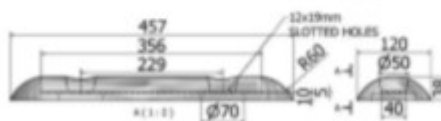
## Aluminium Bolt On Hull Anode



### MH18AS

1.8 Kg NET / 2 Kg GROSS

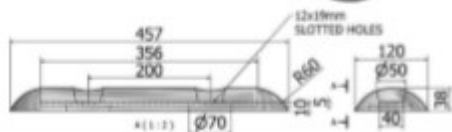
Aluminium Bolt On Hull Anode



### MH24AS

2.4 Kg NET / 3 Kg GROSS

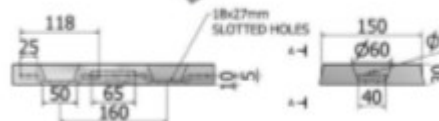
Aluminium Bolt On Hull Anode



### MH24AS-2

2.4 Kg NET / 3 Kg GROSS

Aluminium Bolt On Hull Anode



### MH33AS-CT

1.1 Kg NET / 1.3 Kg GROSS

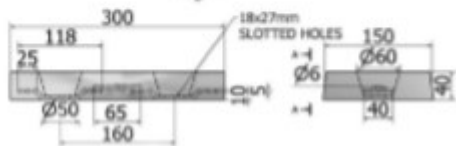
Aluminium Bolt On Hull Anode



CATHODIC  
PROTECTION  
CO LTD

# Aluminium Bolt On Anodes

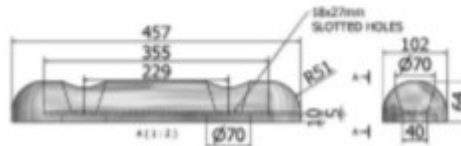
## Aluminium Bolt On Hull Anode



### MH43AS-CT

3.2 Kg NET / 5 Kg GROSS

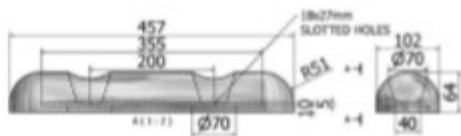
Aluminium Bolt On Hull Anode



### MH45AS-1

4.5 Kg NET / 5 Kg GROSS

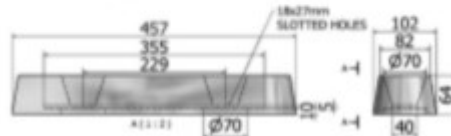
Aluminium Bolt On Hull Anode



### MH45AS-2

4.5 Kg NET / 5 Kg GROSS

Aluminium Bolt On Hull Anode



### MH46AS-2

4.6 Kg NET / 5.1 Kg GROSS

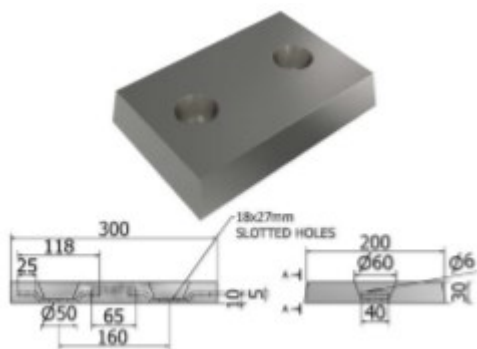
Aluminium Bolt On Hull Anode



CATHODIC  
PROTECTION  
CO LTD

# Aluminium Bolt On Anodes

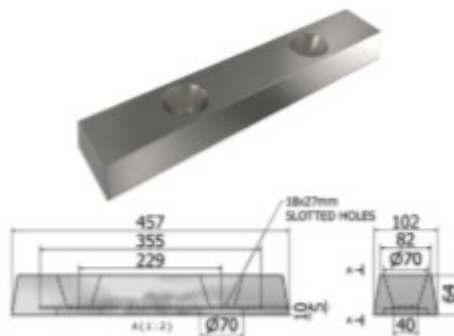
## Aluminium Bolt On Hull Anode



### MH46AS-CT

4.6 Kg NET / 5.1 Kg GROSS

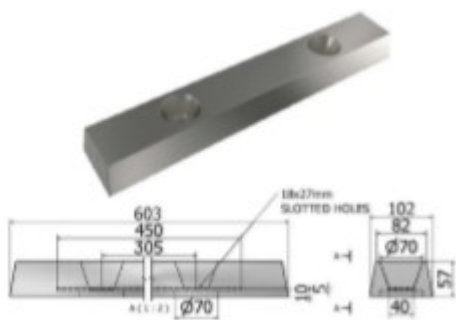
Aluminium Bolt On Hull Anode



### MH50AS

5 Kg NET / 5.4 Kg GROSS

Aluminium Bolt On Hull Anode



### MH75AS

7.5Kg NET / 8 Kg GROSS

Aluminium Bolt On Hull Anode



### MH69AS

16.9 Kg NET / 17.4 Kg GROSS

Aluminium Bolt On Hull Anode