

Aluminium Bolt On Anodes

APPLICATION

Aluminium alloy anodes have been formulated primarily for use in seawater. Alloys are also capable of achieving high output capacity in mud and brackish water of resistivity up to 150 Ohm.cm. Aluminium anodes have approximately three times the capacity of zinc alloys.

Aluminium Typical Hull Anode Alloy Composition

DNV

Elements	Minimum%	Maximum%
Zn (Zinc)	2.500	5.750
In (Indium)	0.015	0.040
Si (Silicon)	0	0.120
Fe (Iron)	0	0.090
Cu (Copper)	0	0.003
Cd (Cadmium)	0	0.002

Aluminium Typical Hull Anode Alloy Composition

G3

Elements	Minimum%	Maximum%
Zn (Zinc)	2.500	5.750
In (Indium)	0.015	0.040
Si (Silicon)	0	0.120
Fe (Iron)	0	0.090
Cu (Copper)	0	0.003
Cd (Cadmium)	0	0.002
Others	0	0.020
Al (aluminium)	Remainder	

Aluminium Bolt On Anodes

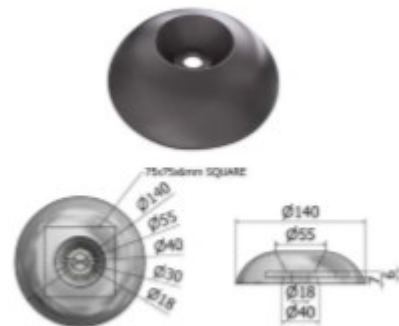
Aluminium Disc Anode



MD3A

0.3 Kg NET / 0.4 Kg GROSS

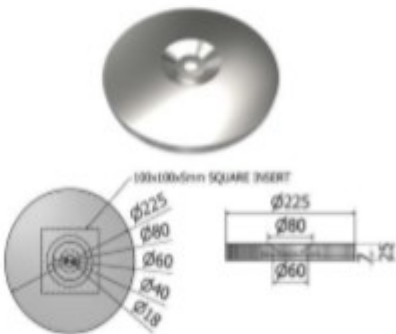
Aluminium Disc Anode



MD7A

0.7 Kg NET / 0.8 Kg GROSS

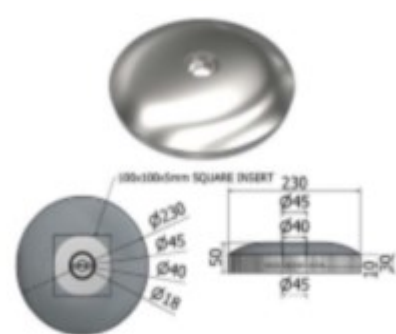
Aluminium Disc Anode



MD28A

2.8 Kg NET / 3 Kg GROSS

Aluminium Disc Anode



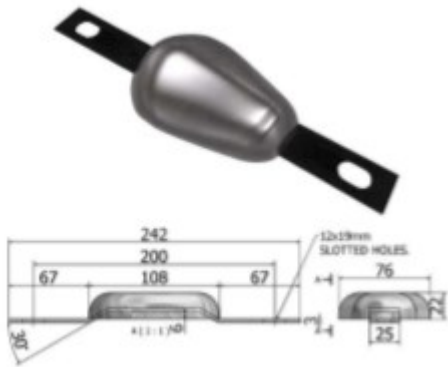
MD43A

4.8 Kg NET / 4.5 Kg GROSS

Aluminium Disc Anode

Aluminium Bolt On Anodes

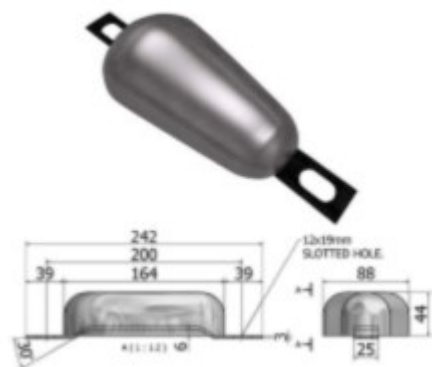
Aluminium Bolt On Hull Anode



MH3AS

0.3 Kg NET / 0.4 Kg GROSS

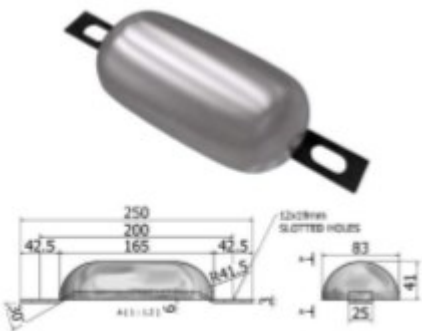
Aluminium Bolt On Hull Anode



MH8AS

0.8 Kg NET / 1 Kg GROSS

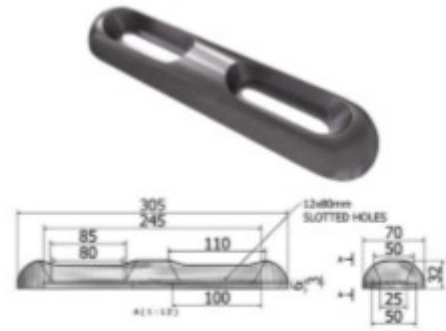
Aluminium Bolt On Hull Anode



MH11AS

1.1 Kg NET / 1.3 Kg GROSS

Aluminium Bolt On Hull Anode



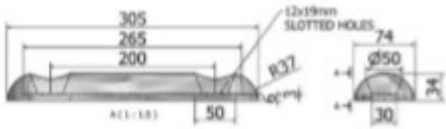
MH11AS-2

1.1 Kg NET / 1.3 Kg GROSS

Aluminium Bolt On Hull Anode

Aluminium Bolt On Anodes

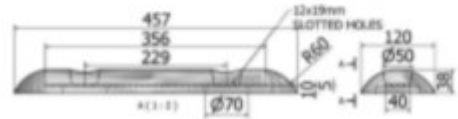
Aluminium Bolt On Hull Anode



MH18AS

1.8 Kg NET / 2 Kg GROSS

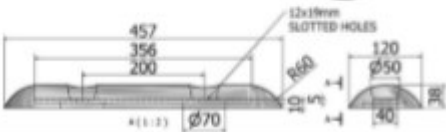
Aluminium Bolt On Hull Anode



MH24AS

2.4 Kg NET / 3 Kg GROSS

Aluminium Bolt On Hull Anode



MH24AS-2

2.4 Kg NET / 3 Kg GROSS

Aluminium Bolt On Hull Anode



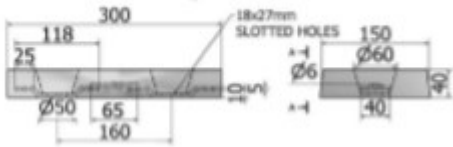
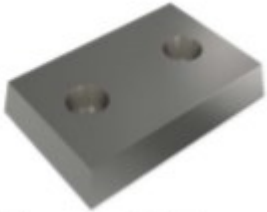
MH33AS-CT

1.1 Kg NET / 1.3 Kg GROSS

Aluminium Bolt On Hull Anode

Aluminium Bolt On Anodes

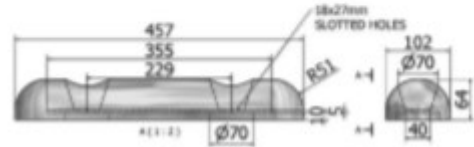
Aluminium Bolt On Hull Anode



MH43AS-CT

3.2 Kg NET / 5 Kg GROSS

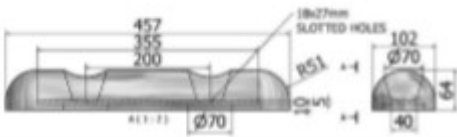
Aluminium Bolt On Hull Anode



MH45AS-1

4.5 Kg NET / 5 Kg GROSS

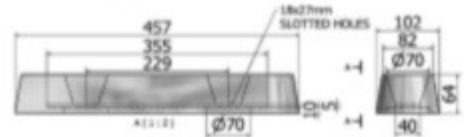
Aluminium Bolt On Hull Anode



MH45AS-2

4.5 Kg NET / 5 Kg GROSS

Aluminium Bolt On Hull Anode



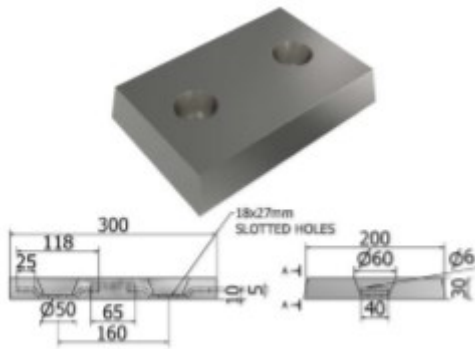
MH46AS-2

4.6 Kg NET / 5.1 Kg GROSS

Aluminium Bolt On Hull Anode

Aluminium Bolt On Anodes

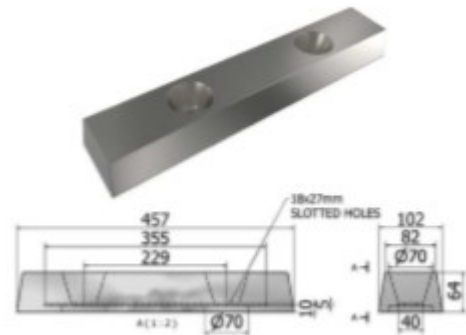
Aluminium Bolt On Hull Anode



MH46AS-CT

4.6 Kg NET / 5.1 Kg GROSS

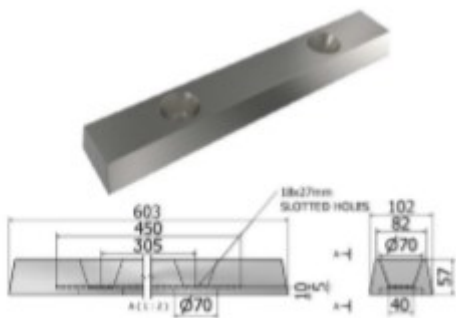
Aluminium Bolt On Hull Anode



MH50AS

5 Kg NET / 5.4 Kg GROSS

Aluminium Bolt On Hull Anode



MH75AS

7.5Kg NET / 8 Kg GROSS

Aluminium Bolt On Hull Anode



MH69AS

16.9 Kg NET / 17.4 Kg GROSS

Aluminium Bolt On Hull Anode