



MIXED METAL OXIDE WIRE ANODES



REVISION 1

APPLICATION

Tank Bottoms, Tank Internals, Pipeline Internals, Canistered Anodes, Continuous Horizontal Groundbeds, Discontinuous Horizontal Groundbeds, Shallow Vertical Groundbeds, Deep Anode Groundbeds.

STANDARD ANODE TYPES, DIMENSIONS AND OUTPUTS

Available in two standard sizes, with two standard current ratings. Other sizes and rating are available upon request.

MMO Wire Anode consists of solid titanium wire which meets ASTM B348 Grade 1 or 2 standards, that has been coated with Mixed Metal Oxide.



WIRE ANODES ELECTRICAL RESISTANCE

1.5mm diameter : 75,537 microhms/ft / 247,821 microhms/m
3.0mm diameter : 18,884 microhms/ft / 61,954 microhms/m

Approximate electrical resistance @ 25°C. Mechanical properties are based on typical room temperature.

PIGGYBACK WIRE ANODE SYSTEMS

For use on pipelines, the product comprises Mixed Metal Oxide Wire Anode material "piggybacked" to a cable at predetermined intervals (to aid current distribution and attenuation). The wire and cable is contained within a cotton sock filled with calcined petroleum coke breeze backfill. The Piggyback Sock Anode is placed alongside the pipeline with suitable lengths of cable at each end of the loop allowed for termination into a junction box.

PIGGYBACK WIRE SOCK ANODE SYSTEMS

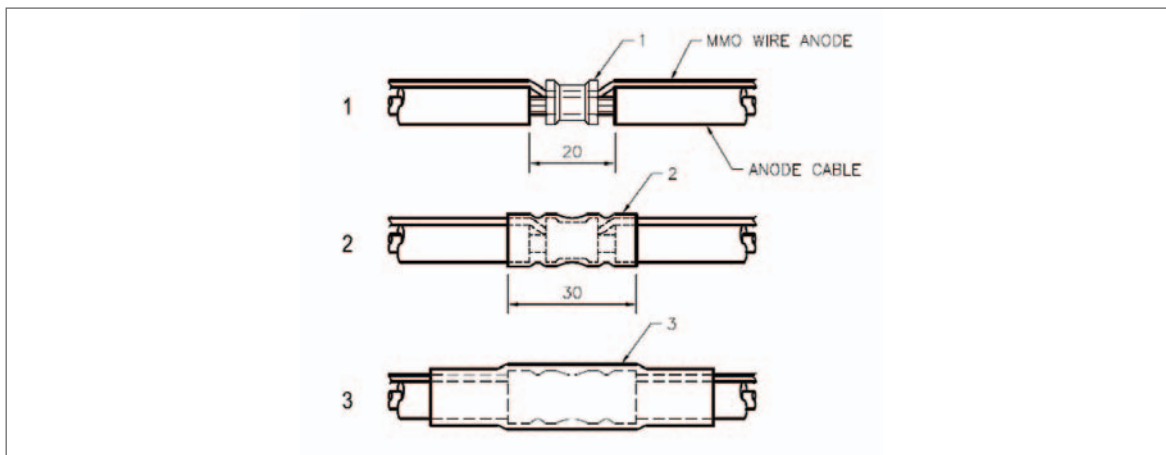
For use on pipelines, the product comprises Mixed Metal Oxide Wire Anode material "piggybacked" to a cable at predetermined intervals (to aid current distribution and attenuation). The wire and cable is contained within a cotton sock filled with calcined petroleum coke breeze backfill. The Piggyback Sock Anode is placed alongside the pipeline with suitable lengths of cable at each end of the loop allowed for termination into a junction box.



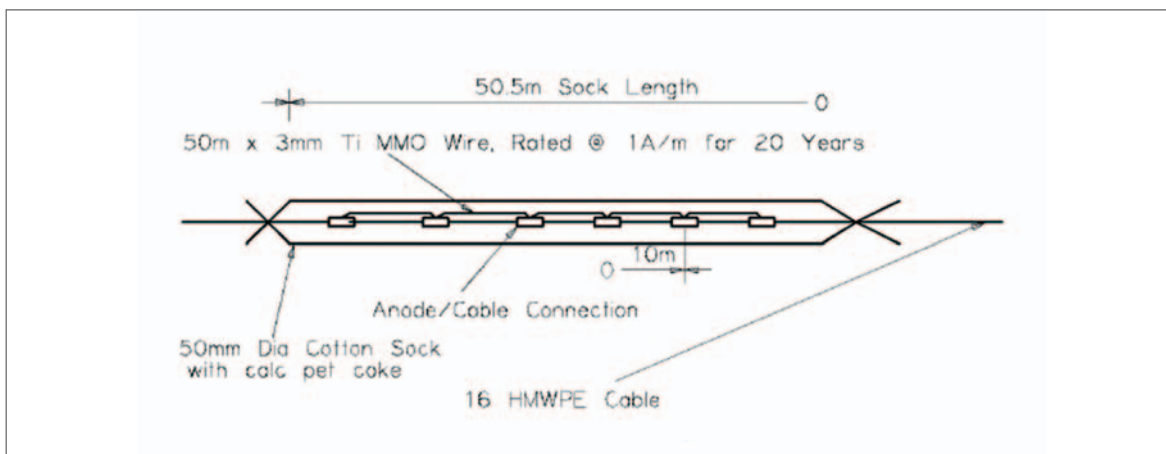
MIXED METAL OXIDE WIRE ANODES

REVISION 1

TYPICAL CABLE TO WIRE SPLICED CONNECTION



TYPICAL WIRE SOCK ANODE ARRANGEMENT



TYPICAL CONCENTRIC PATTERN WIRE ANODE ARRANGEMENT

